

Interlochen 6 Foot Backed Bench



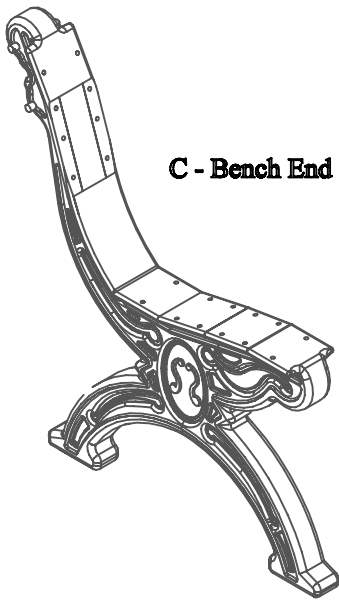
Interlochen is the king of benches. The upscale bench frames are the product of choice of any setting. Engrave and add color inlay for a sustainable memorial.

Before assembly, please make sure all components are included.

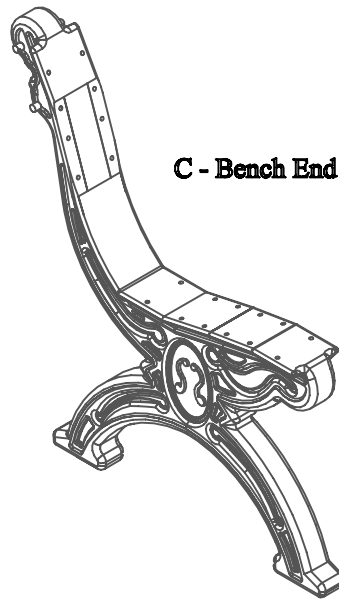


(1) - One Fastener Pack
FP-CB6B-CU-01

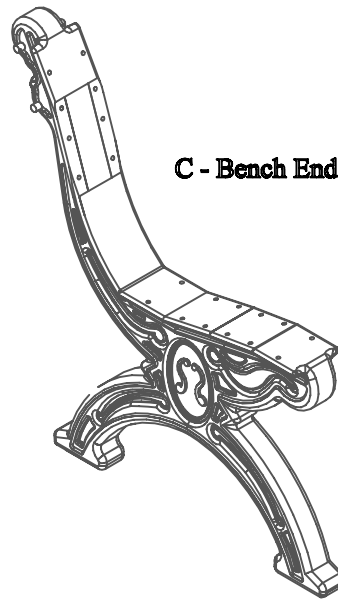
FP - Fastener Pack



C - Bench End



C - Bench End



C - Bench End

(3) - Three Bench Ends
PS-CBBE-A-01

.	.	A - Bull Nose Bench Board	.	.
.	.	A - Bull Nose Bench Board	.	.
.	.	A - Bull Nose Bench Board	.	.
.	.	A - Bull Nose Bench Board	.	.

(4) - Four Bull Nose
Bench Boards
BP-CB6B-A-01

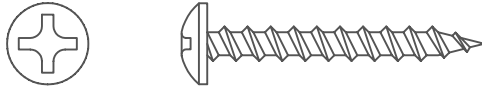
.	.	B - Bench Board	.	.
.	.	B - Bench Board	.	.
.	.	B - Bench Board	.	.
.	.	B - Bench Board	.	.
.	.	B - Bench Board	.	.
.	.	B - Bench Board	.	.

(6) - Six Bench Boards
BP-CB6B-B-01

FS-CB6B-CAP-01

Before assembly, please make sure all fasteners are included.

60 - #12 x 1 1/2" Pan Head Phillips Screw

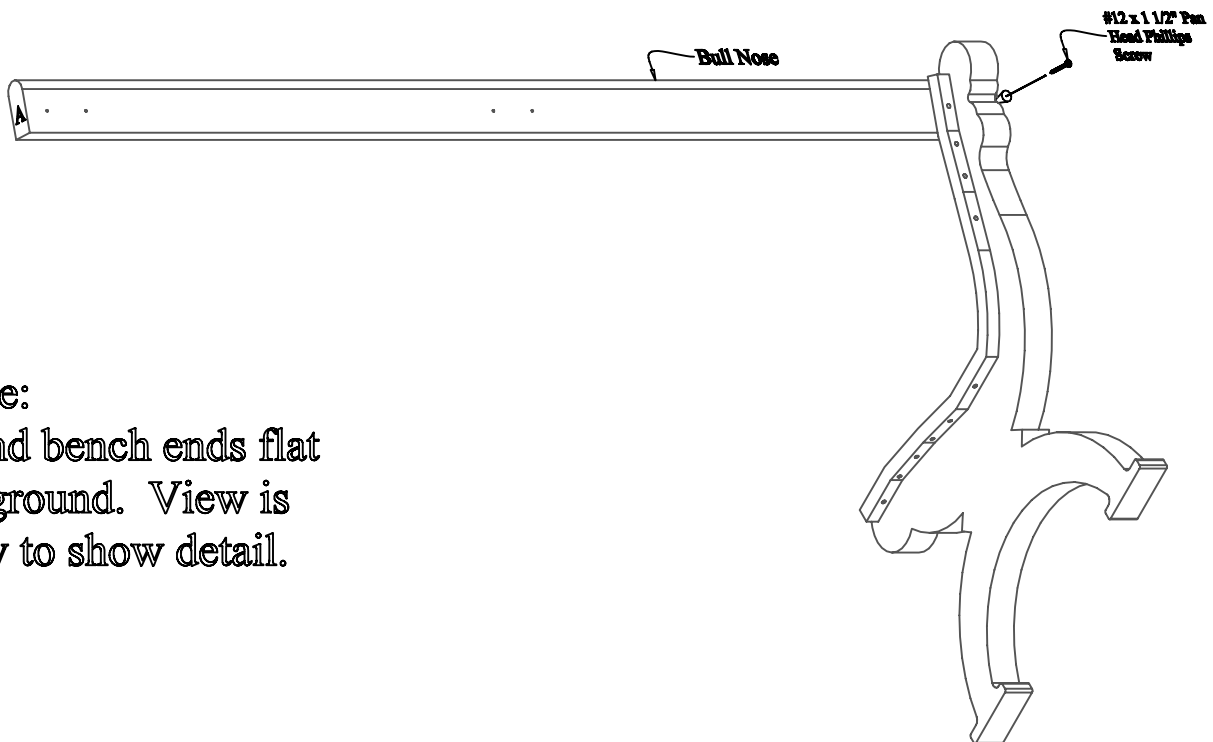
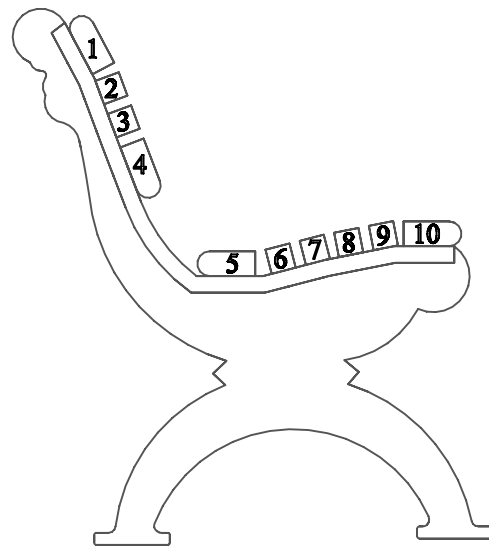


Also needed for this assembly will be the following materials:

1 - #3 Phillips Drive Bit

Fig #1:

In order to make the assembly of this Cambridge Bench easier while going through the assembly process the board positions are numbered and will be referenced in later steps.



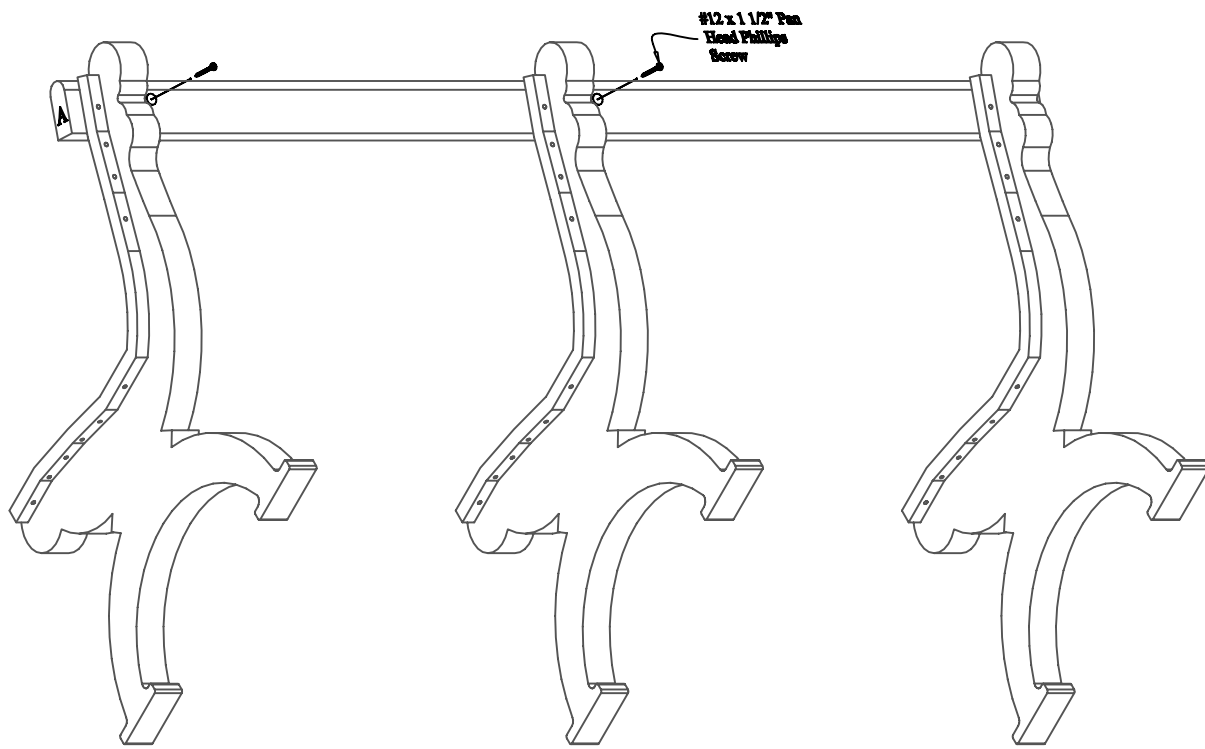
Note:

Stand bench ends flat on ground. View is only to show detail.

Step #1:

Stand (1) One bench end upright and place (1) One bull nose bench board (A) on position 1 being sure to align the pilot holes to the pre-drilled holes in the bench end. After the holes are properly aligned, fasten with (1) One #12 x 1 1/2" Pan Head Phillips Screw in the pre-drilled hole on the right side of the bench end.

Note: Do not tighten screw completely. This will be done in a later step.



Step #2:

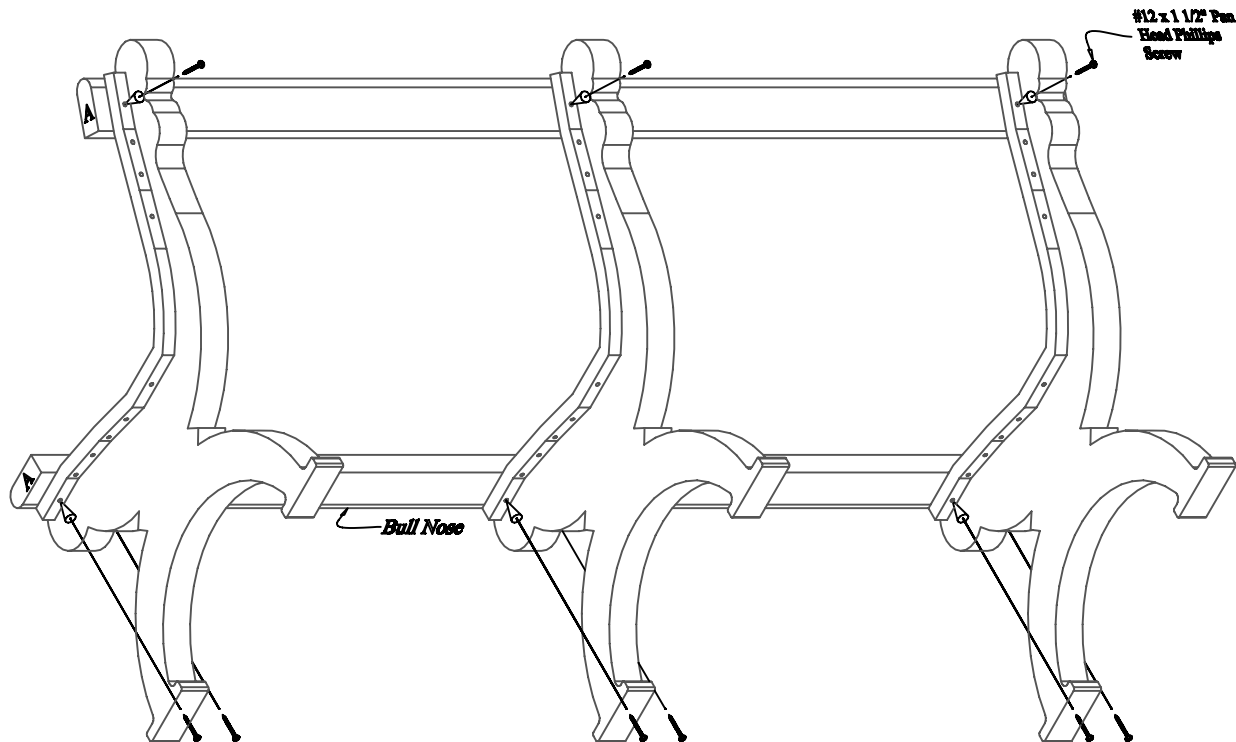
Stand the other (2) Two bench ends upright, one at a time, and place the bull nose bench board (A) already attached to the first bench end, on position 1 being sure to align the pilot holes with the pre-drilled holes in the bench end. After the holes are properly aligned, fasten with (1) One #12 x 1 1/2" Pan Head Phillips Screw in the pre-drilled hole on the right side of the bench end.

Note: Do not tighten screws completely. This will be done in a later step.

Step #3:

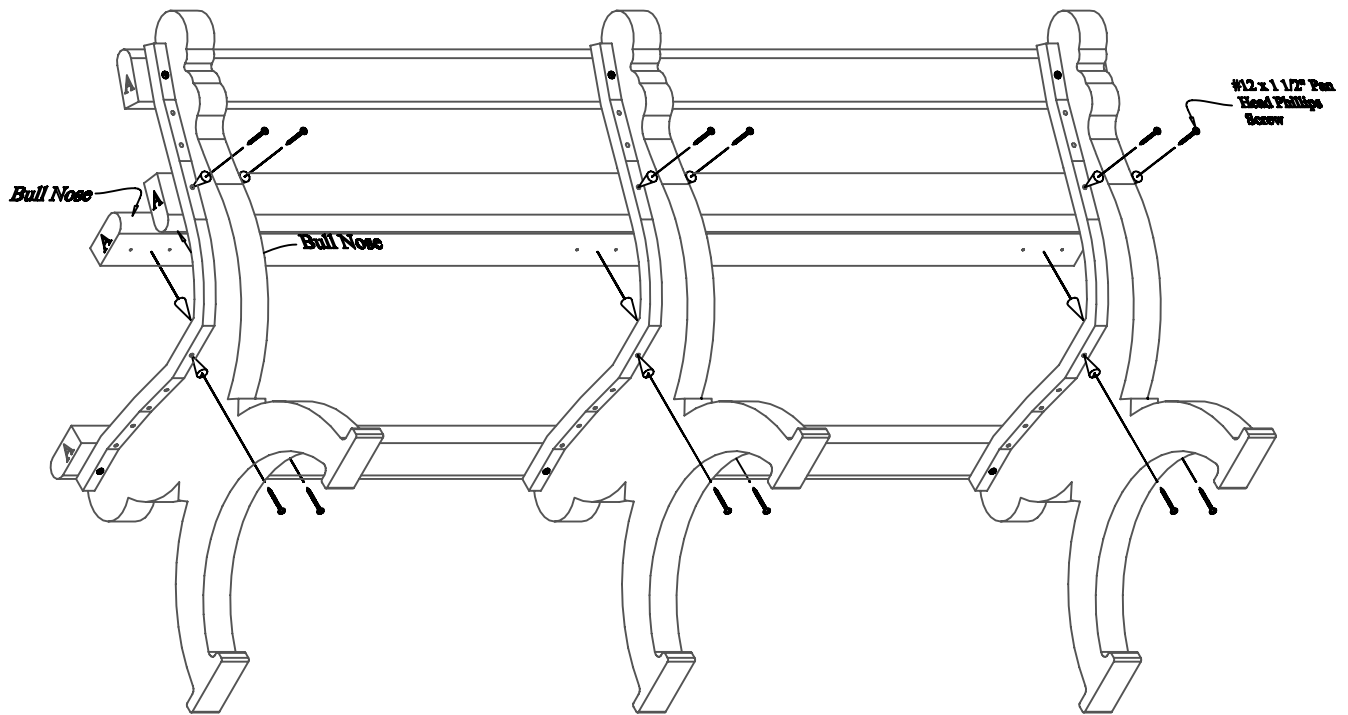
Align the pilot holes on the bull nose bench board (A) to the pre-drilled holes on the left side of the bench ends. After the holes are properly aligned, fasten with (1) One #12 x 1 1/2" Pan Head Phillips Screw per bench end.

Note: Be sure to tighten screws completely after this step.



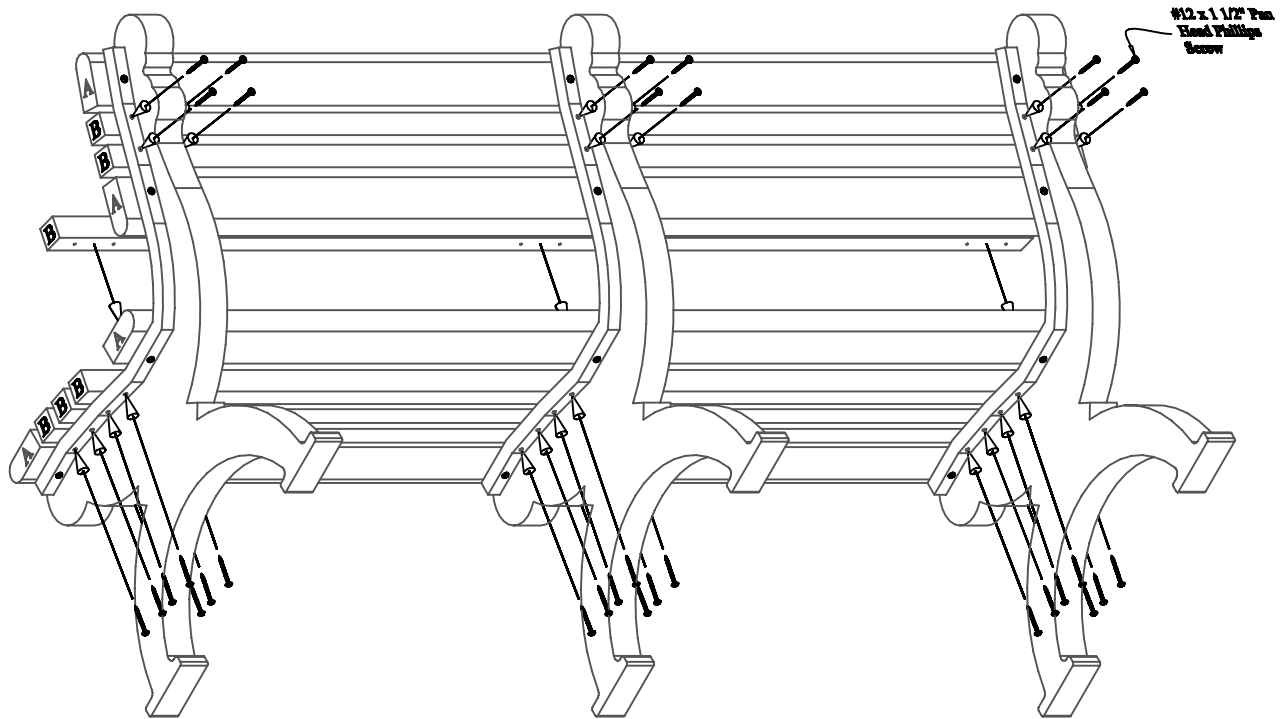
Step #4:

Place a second bull nose bench board (A) on position 10. Repeat Steps 1 - 3 to attach. Use (1) One #12 x 1 1/2" Pan Head Phillips Screw per hole to fasten.



Step #5:

Repeat Steps 1 - 3 to attach bull nose bench boards (A) on positions 4 & 5.
Use (1) One #12 x 1 1/2" Pan Head Phillips Screw per hole to fasten.



Step #6:

Repeat Steps 1 - 3 to attach bench boards (B) on positions 2, 3, 6, 7, 8 & 9.
Use (1) One #12 x 1 1/2" Pan Head Phillips Screw per hole to fasten.

DEAR VALUED CUSTOMER,

THANK YOU FOR PURCHASING THIS PRODUCT. THIS PRODUCT IS MANUFACTURED USING RECYCLED MATERIALS AND MAY HAVE SLIGHT COLOR VARIATIONS, OCCASIONAL SPECKS OF COLOR OR IRREGULAR SURFACE PATTERNS. THESE ARE NORMAL CONDITIONS OF RECYCLED PLASTICS AND MAKE EACH PIECE OF FURNITURE UNIQUE. THESE CHARACTERISTICS DO NOT AFFECT THE STRENGTH, QUALITY OR PERFORMANCE OF THE PRODUCT.

THANK YOU AGAIN FOR PURCHASING THIS PRODUCT AND HELPING OUR ENVIRONMENT.