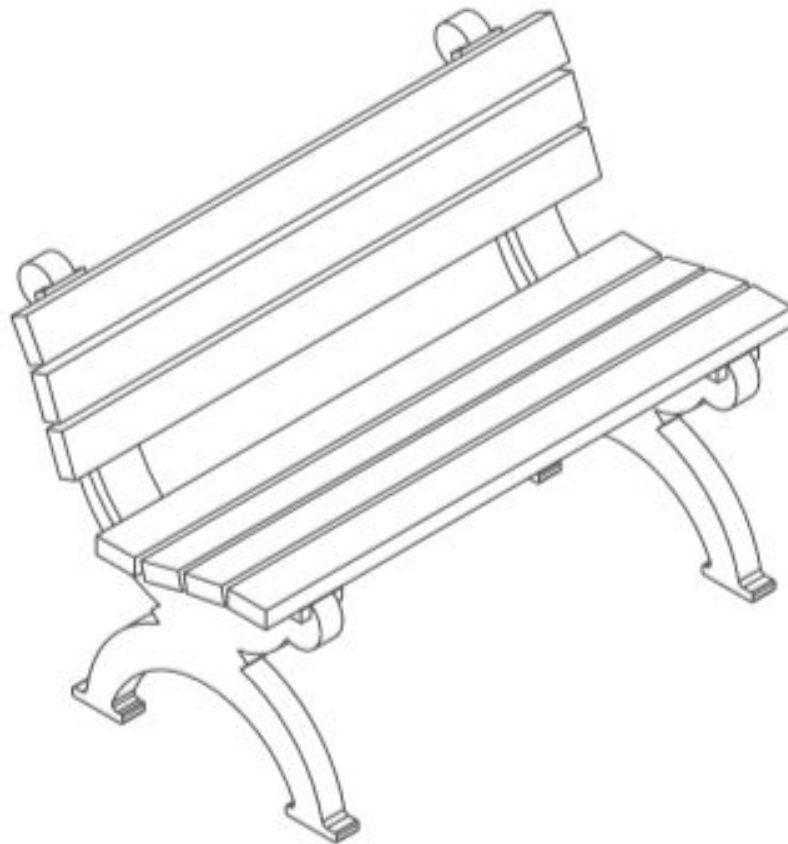


Arcadia 4 Foot Backed Bench



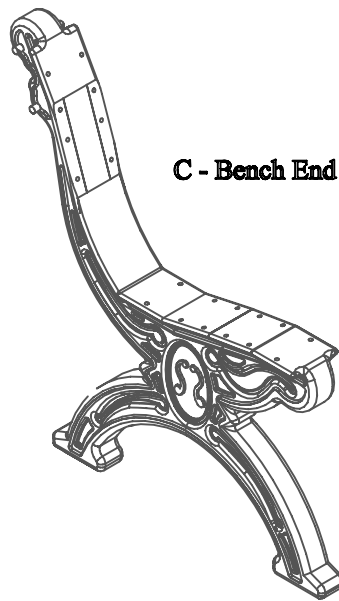
Arcadia is the king of benches. The upscale bench frames are the product of choice of any setting. Engrave and add color inlay for a sustainable memorial.

Before assembly, please make sure all components are included.

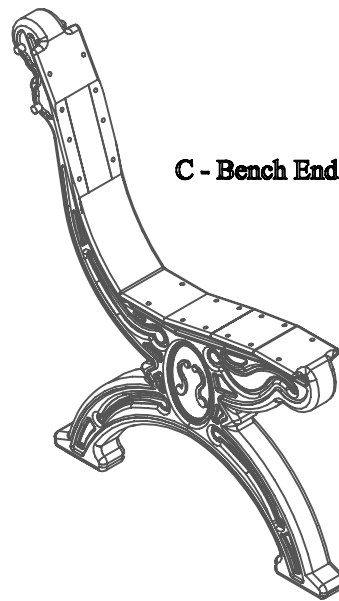


(1) - One Fastener Pack
FP-CB4B-CU-01

FP - Fastener Pack



C - Bench End



C - Bench End

(2) - Two Bench Ends
PS-CBBE-A-01

. .	A - Bull Nose Bench Board	. .
. .	A - Bull Nose Bench Board	. .
. .	A - Bull Nose Bench Board	. .
. .	A - Bull Nose Bench Board	. .

(4) - Four Bull Nose
Bench Boards
BP-CB4B-A-01

. .	B - Bench Board	. .
. .	B - Bench Board	. .
. .	B - Bench Board	. .
. .	B - Bench Board	. .
. .	B - Bench Board	. .
. .	B - Bench Board	. .

(6) - Six Bench Boards
BP-CB4B-B-01

Before assembly, please make sure all fasteners are included.

40 - #12 x 1 1/2" Pan Head Phillips Screw

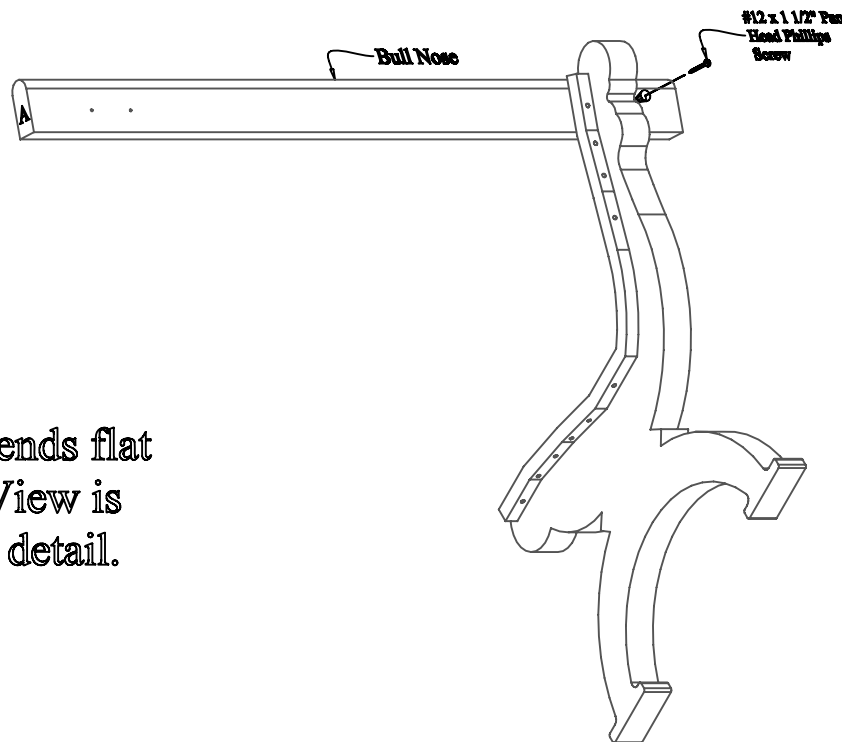
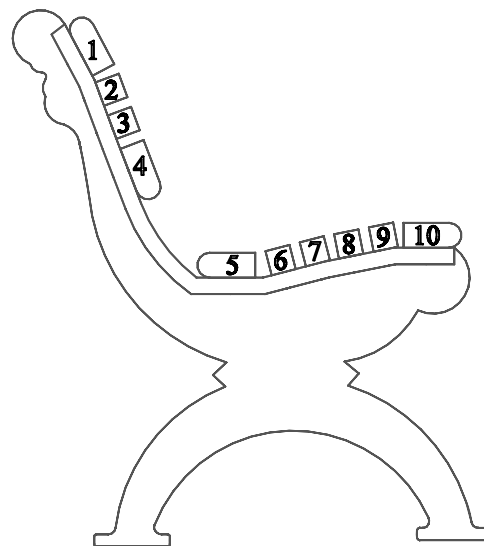


Also needed for this assembly will be the following materials:

1 - #3 Phillips Drive Bit

Fig #1:

In order to make the assembly of this Cambridge Bench easier while going through the assembly process the board positions are numbered and will be referenced in later steps.



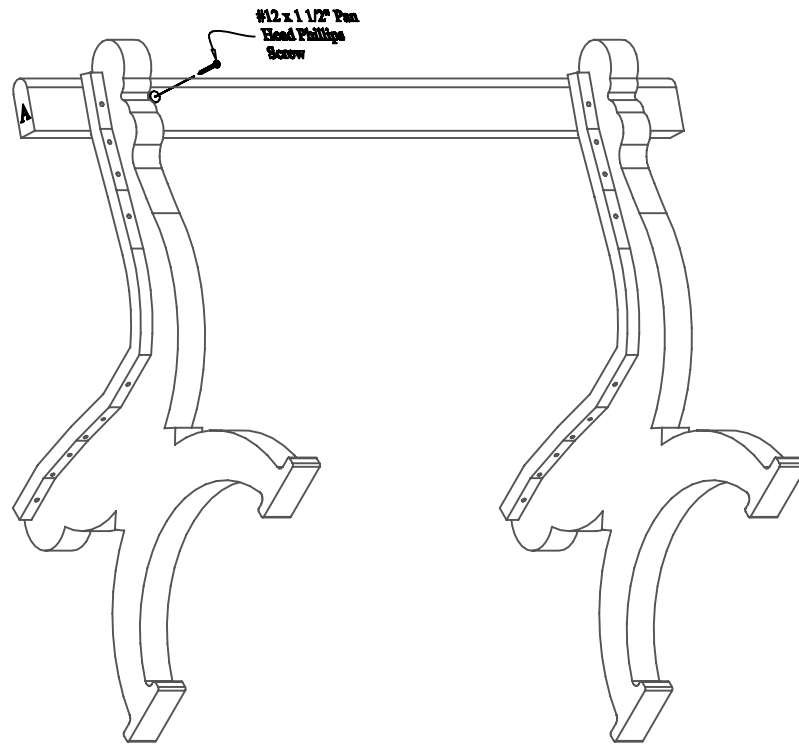
Note:

Stand bench ends flat on ground. View is only to show detail.

Step #1:

Stand (1) One bench end upright and place (1) One bull nose bench board (A) on position 1 being sure to align the pilot holes to the pre-drilled holes in the bench end. After the holes are properly aligned, fasten with (1) One #12 x 1 1/2" Pan Head Phillips Screw in the pre-drilled hole on the right side of the bench end.

Note: Do not tighten screw completely. This will be done in a later step.



Step #2:

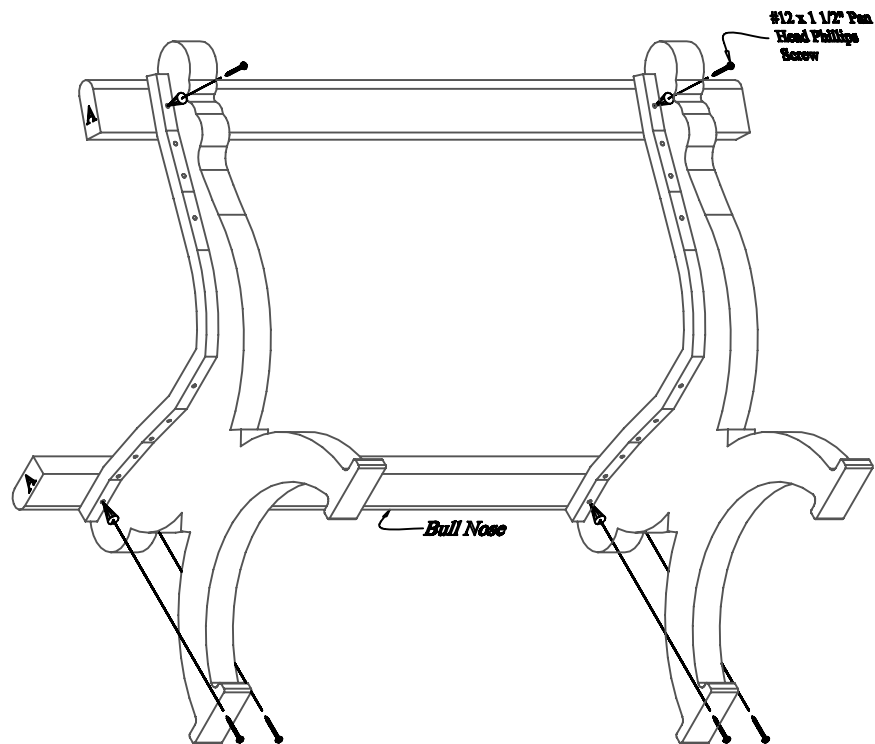
Stand the other bench end upright, and place the bull nose bench board (A) already attached to the first bench end, on position 1 being sure to align the pilot holes with the pre-drilled holes in the bench end. After the holes are properly aligned, fasten with (1) One #12 x 1 1/2" Pan Head Phillips Screw in the pre-drilled hole on the right side of the bench end.

Note: Do not tighten screws completely. This will be done in a later step.

Step #3:

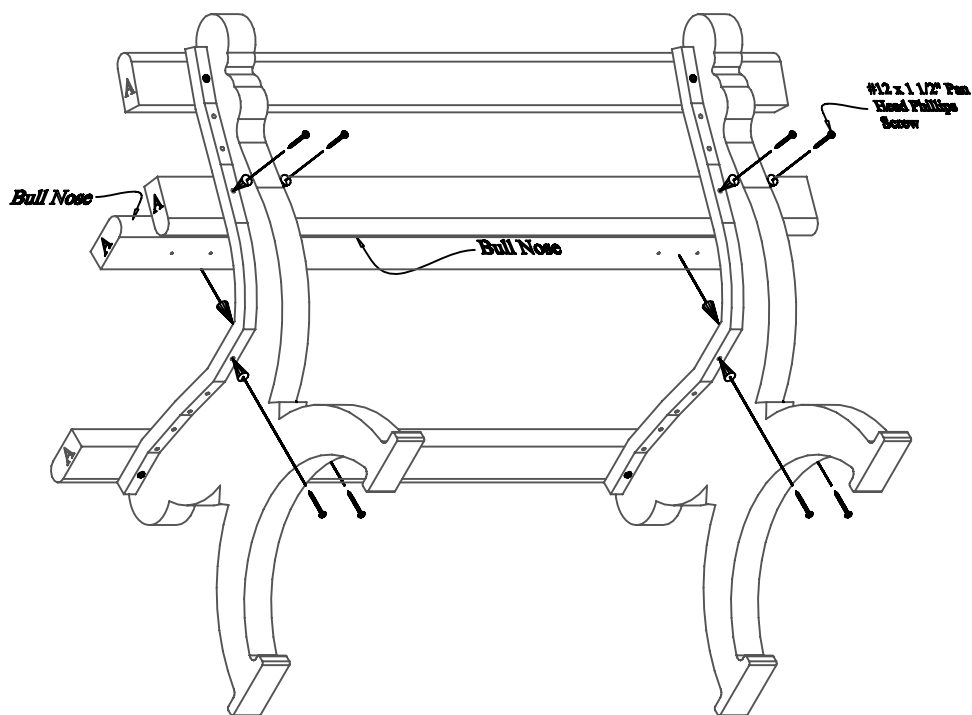
Align the pilot holes on the bull nose bench board (A) to the pre-drilled holes on the left side of the bench ends. After the holes are properly aligned, fasten with (1) One #12 x 1 1/2" Pan Head Phillips Screw per bench end.

Note: Be sure to tighten screws completely after this step.



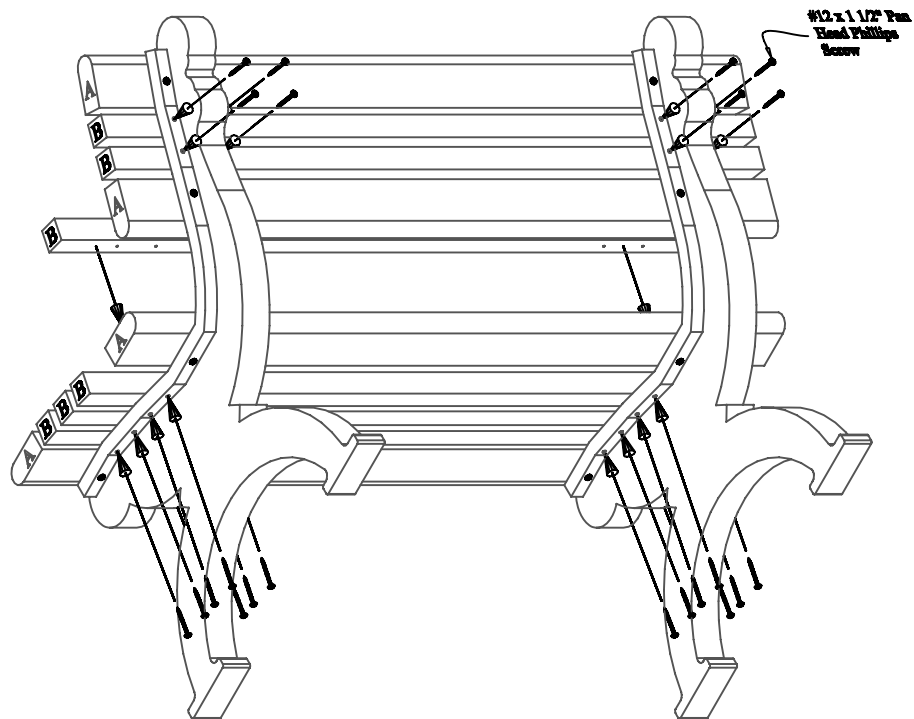
Step #4:

Place a second bull nose bench board (A) on position 10. Repeat Steps 1 - 3 to attach. Use (1) One #12 x 1 1/2" Pan Head Phillips Screw per hole to fasten.



Step #5:

Repeat Steps 1 - 3 to attach bull nose bench boards (A) on positions 4 & 5.
Use (1) One #12 x 1 1/2" Pan Head Phillips Screw per hole to fasten.



Step #6:

Repeat Steps 1 - 3 to attach bench boards (B) on positions 2, 3, 6, 7, 8 & 9.
Use (1) One #12 x 1 1/2" Pan Head Phillips Screw per hole to fasten.